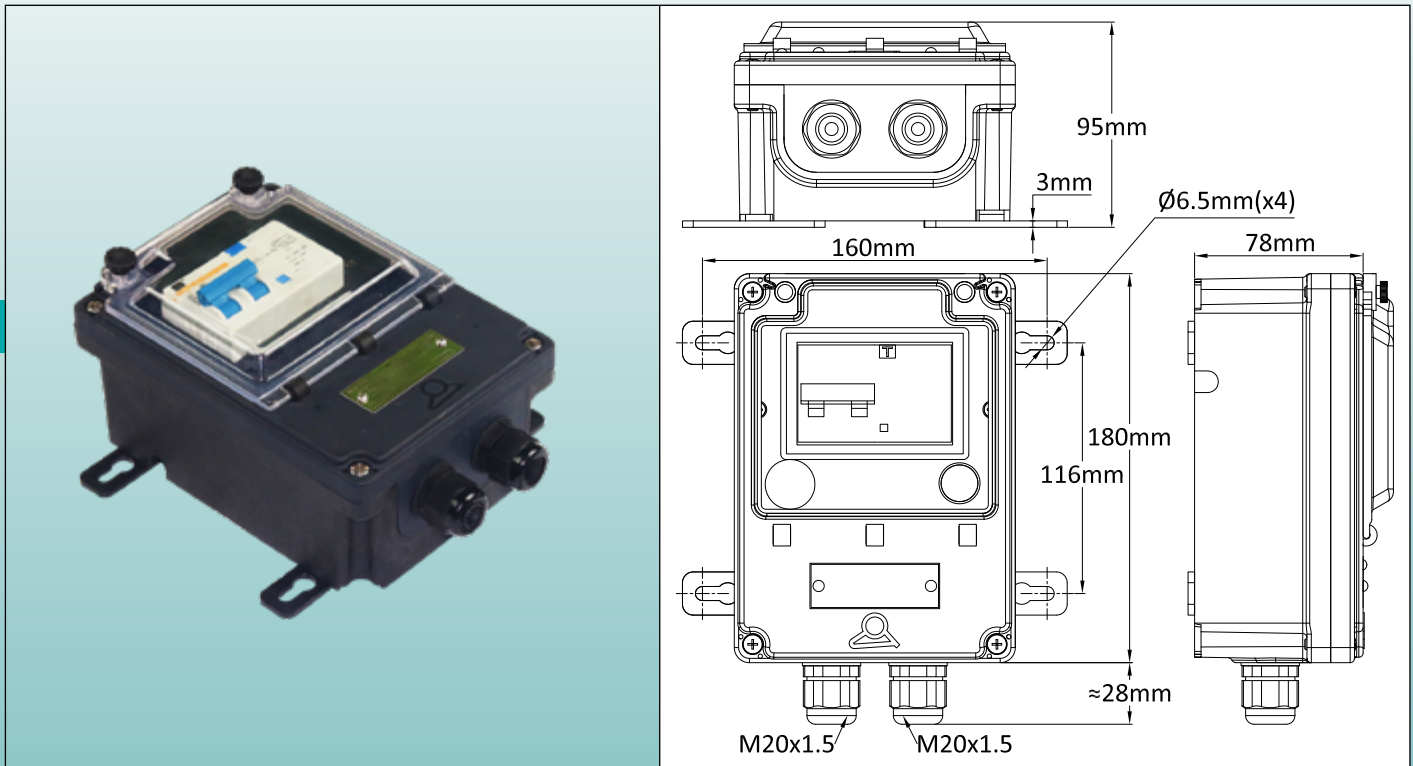


20mA, 20A ground fault and overcurrent breaker



Enclosure	Overcurrent sensitivity	Current leaks sensitivity	Type
IP69K	20A	20mA	Y8WSY



Main features

The GFCI is a device that combines overcurrent and short circuit protection with current leakage protection. The purpose of overcurrent protection is to protect equipment, and protection against leakage is intended to protect people against the risk of electric shock. In Jacket and blanket heaters, every precaution is taken to avoid these risks. But there may be exceptional circumstances that may produce short circuits or leaks. This can be for example a very hot liquid overflow, the piercing of the cover or a power cord by a sharp metal object, or simply the disconnection of a conductor due to a bad tightening of electrical terminals. We therefore recommend the use of this device, waterproof, at the head of the power line of the jacket or blanket heater.

Enclosure: IP69K, reinforced PA66, with polycarbonate window access. Sealable cover and window.

Wall mounting: Four removable and rotatable legs.

Electrical connection: On 6mm² internal connection block.

Cable glands: Two M20 cable glands in PA66.

Current leakage sensitivity: 20mA (difference of current measured between the phase line and neutral line).

Overcurrent sensitivity: 20A.

Nominal voltage: 220-240V.

Number of poles: 2.

Main reference

Y8WSY060000000U9

Because of permanent improvement of our products, drawings, descriptions, features used on these data sheets are for guidance only and can be modified without prior advice